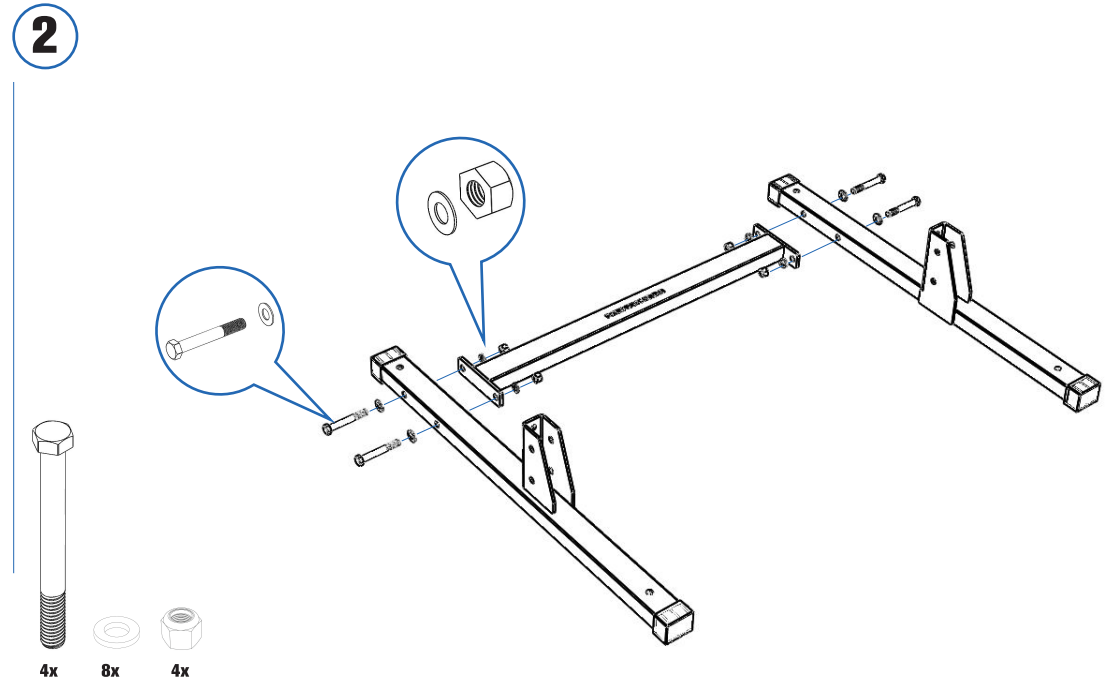
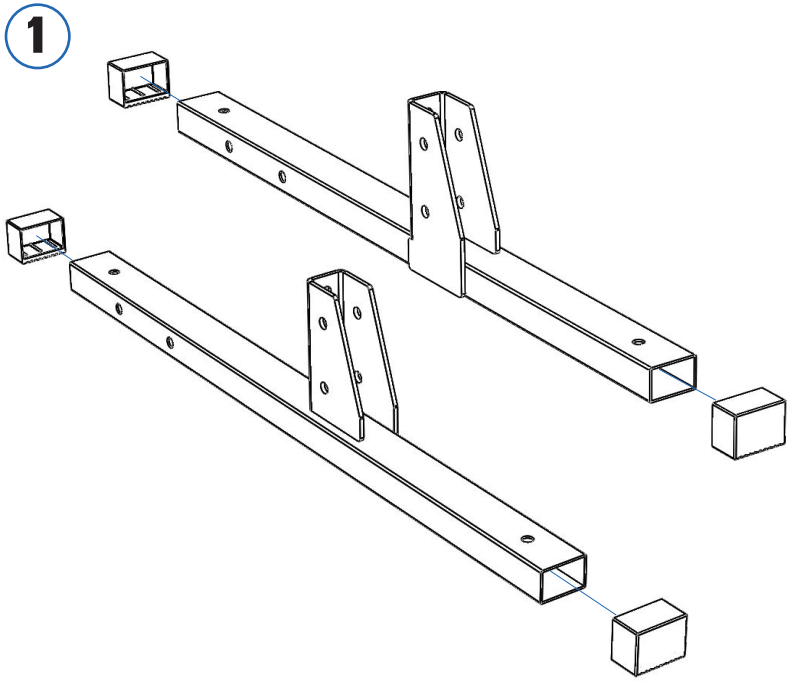
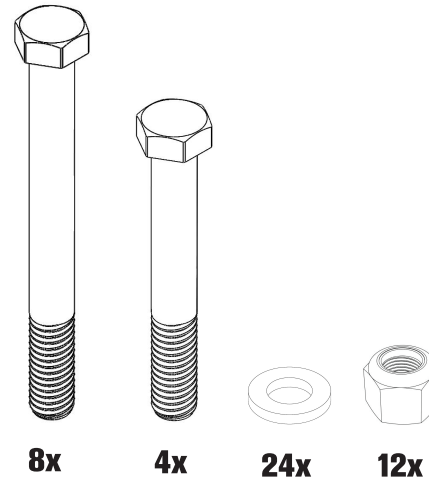
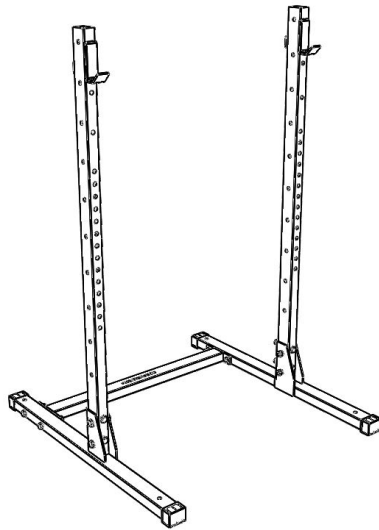


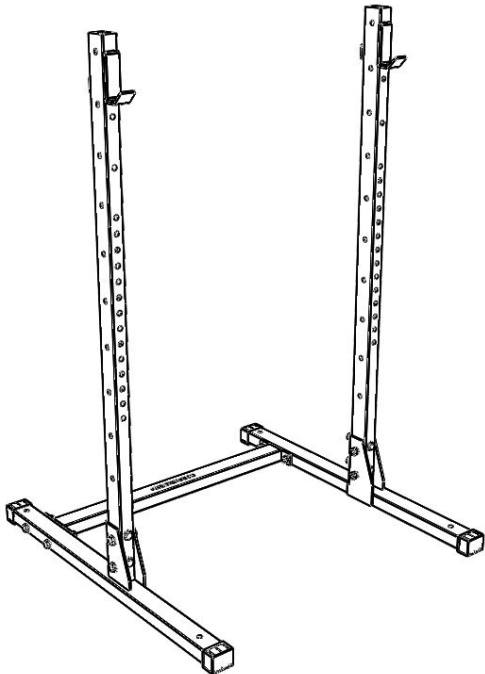
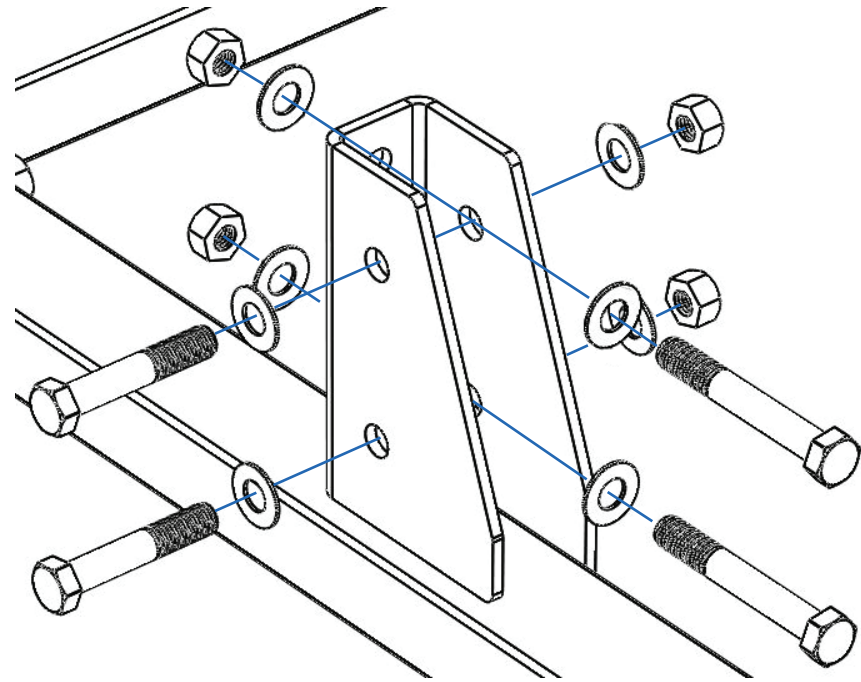
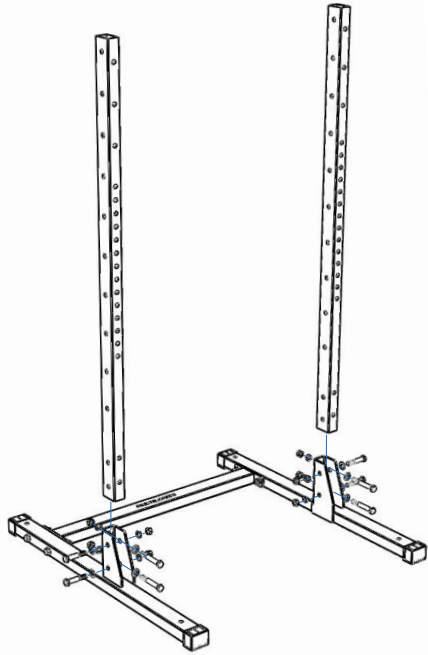
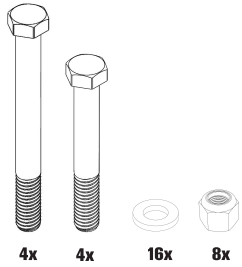
# AGAIN FASTER

EQUIPMENT

SQUAT STAND



3



**USA** [Service@againfaster.com](mailto:Service@againfaster.com)  
**Canada** [Service@againfaster.ca](mailto:Service@againfaster.ca)  
**New Zealand** [Service@againfaster.co.nz](mailto:Service@againfaster.co.nz)  
**UK/Europe** [Service@againfaster.co.uk](mailto:Service@againfaster.co.uk)  
**Australia** [Service@againfaster.com.au](mailto:Service@againfaster.com.au)  
**Israel** [Info@againfaster.co.il](mailto:Info@againfaster.co.il)  
**South Africa** [Service@againfaster.co.za](mailto:Service@againfaster.co.za)  
**Latin America** [Latinamerica@againfaster.com](mailto:Latinamerica@againfaster.com)

**(617) 460-5999**  
**(514) 544 3806**  
**0800 664 323**  
**44(0) 115 945 5454**  
**1 300 663 492**

**WWW.AGAINFASTER.COM**