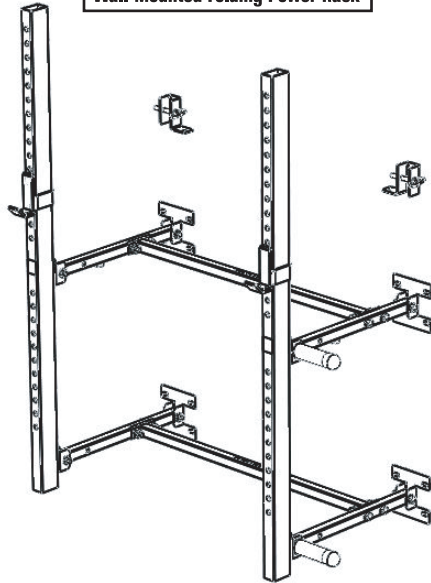


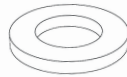
# AGAIN FASTER

## EQUIPMENT

### Wall-Mounted Folding Power Rack



16x



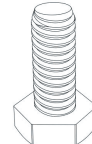
16x



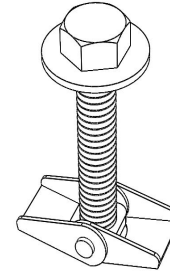
14x



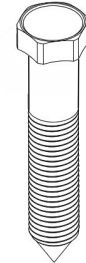
16x



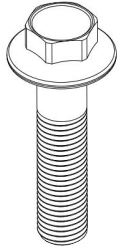
2x



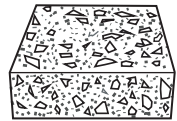
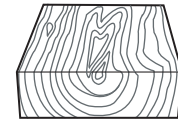
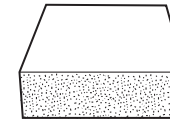
20x



20x

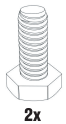
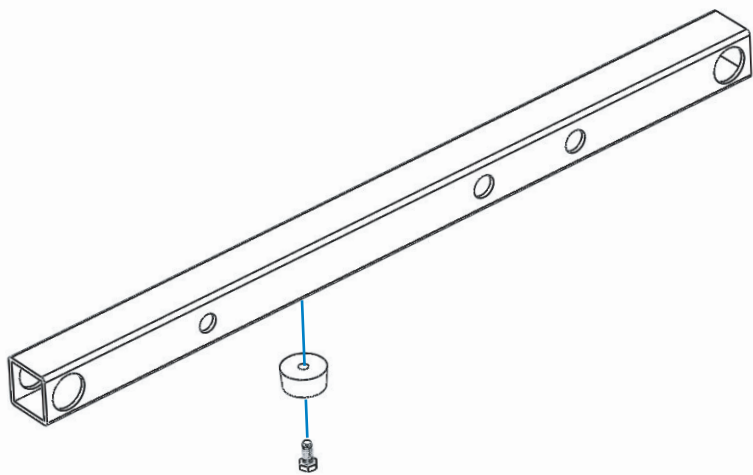


20x



1

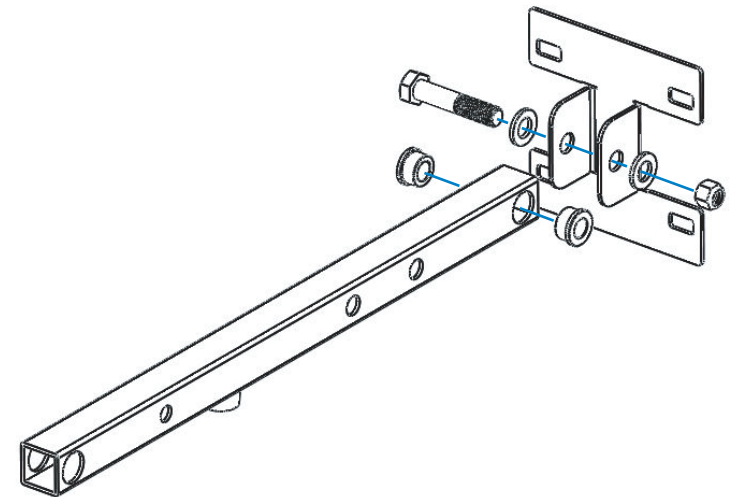
2X



2x

2

4X



4x



8x

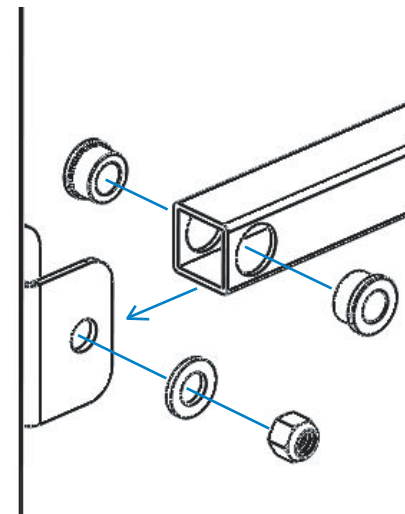
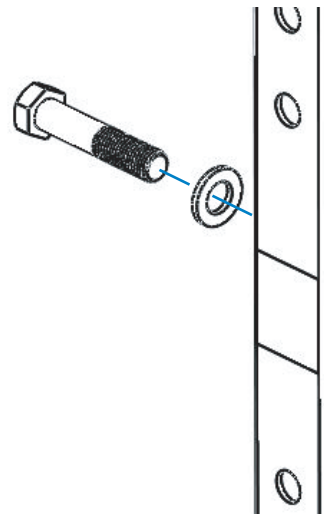
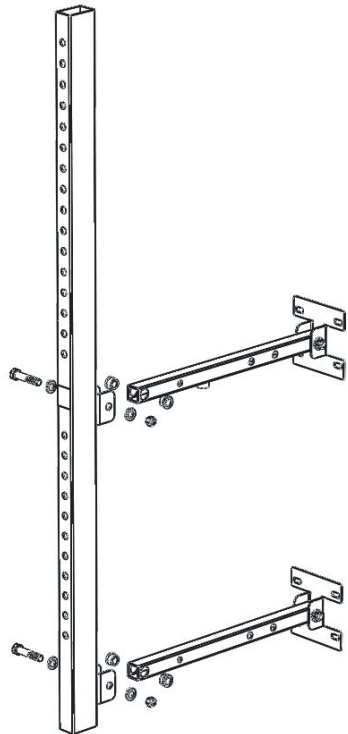
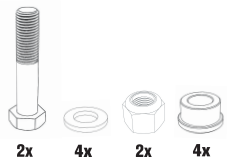


4x

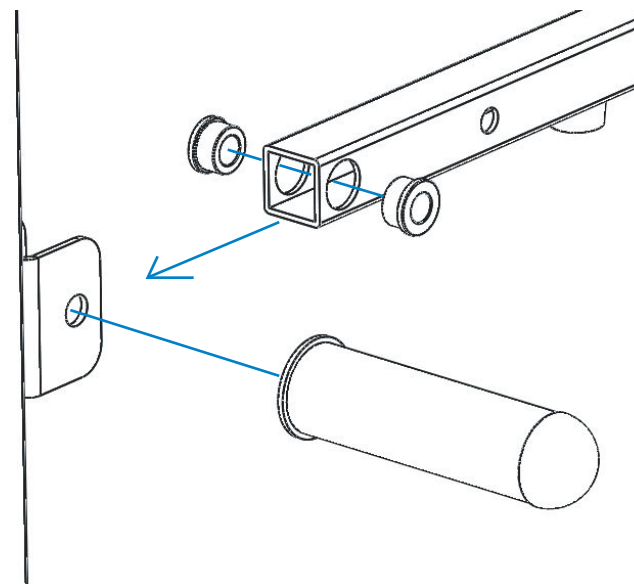
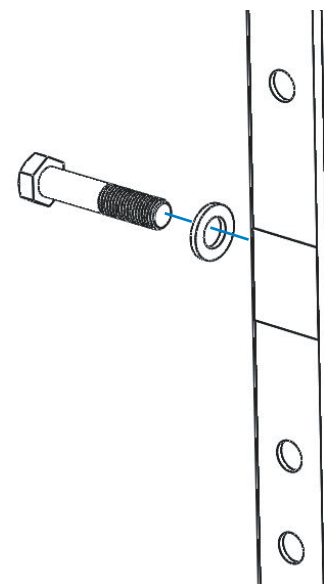
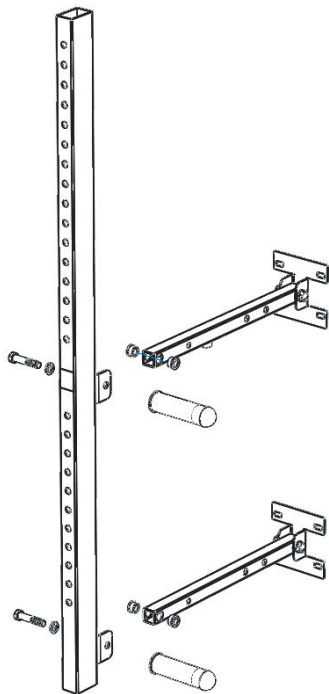
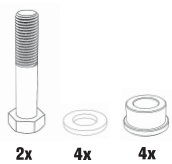


8x

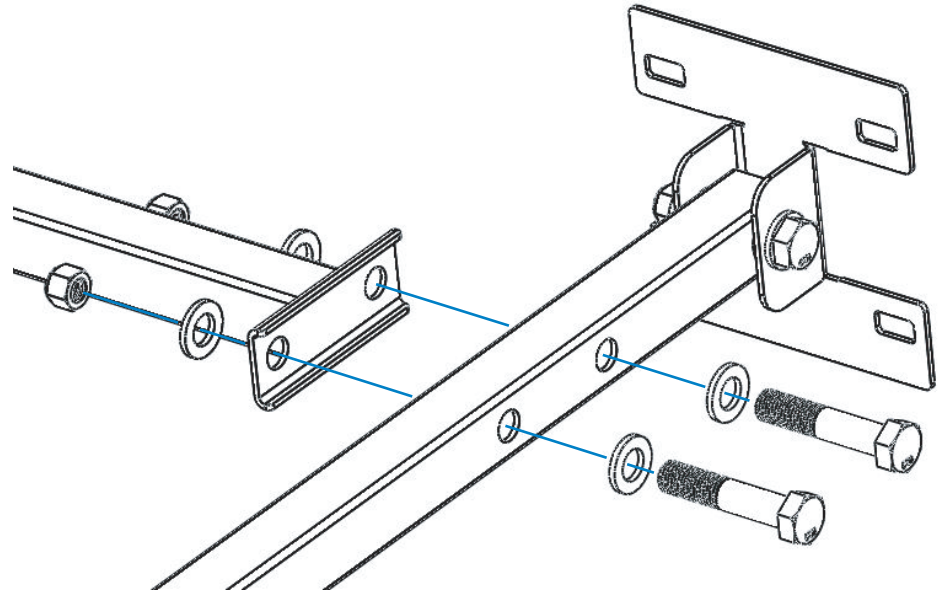
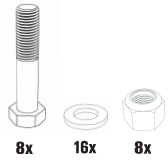
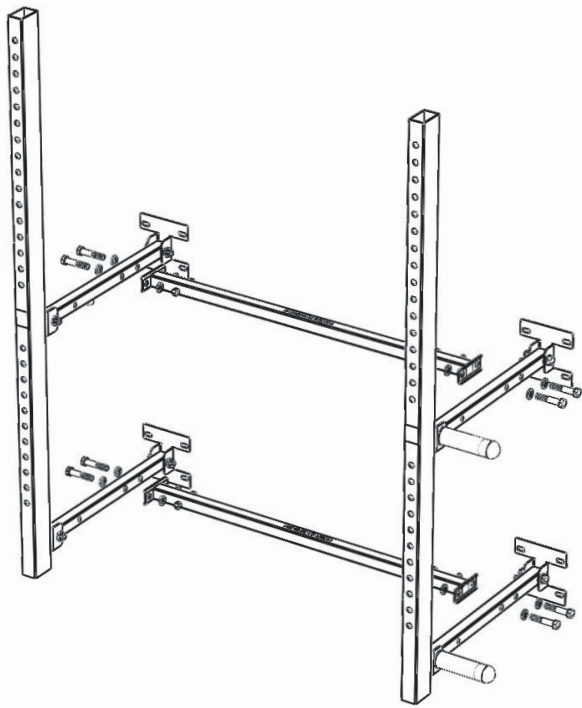
3



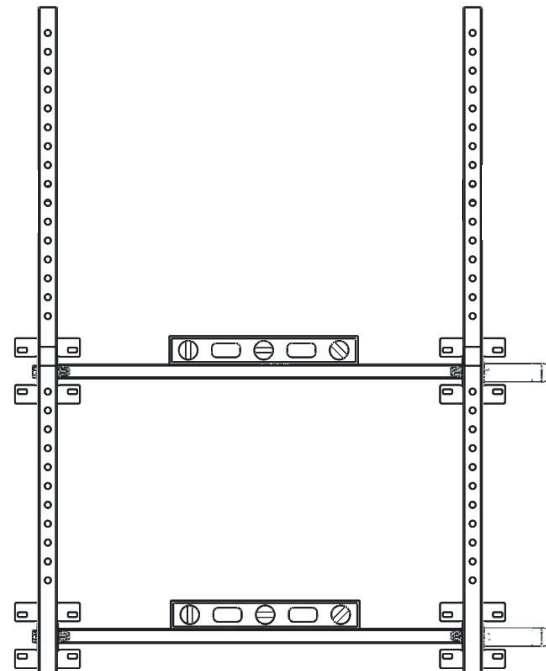
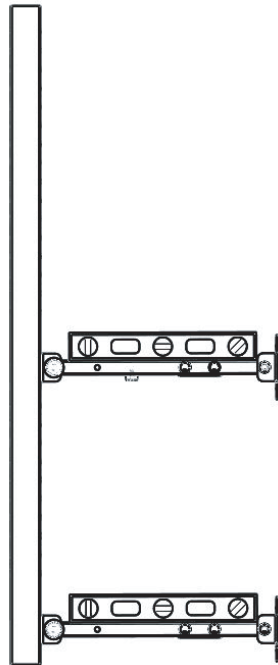
4



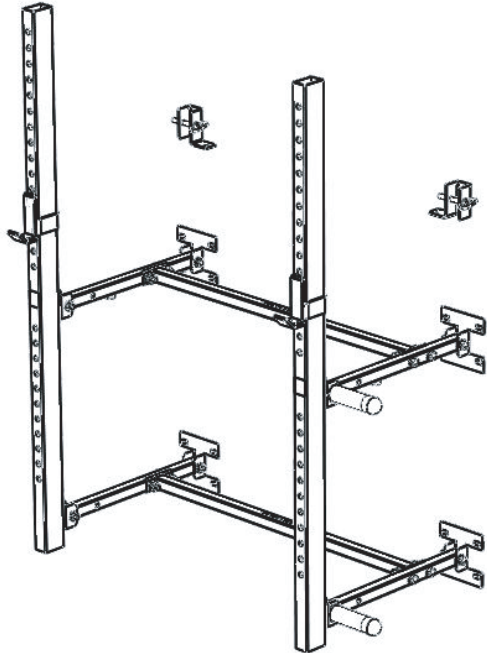
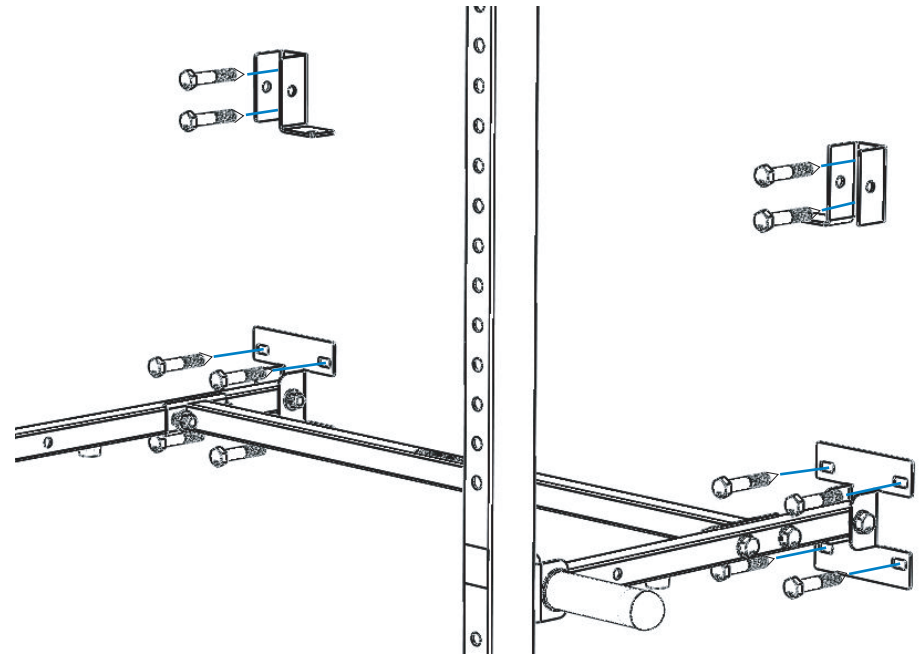
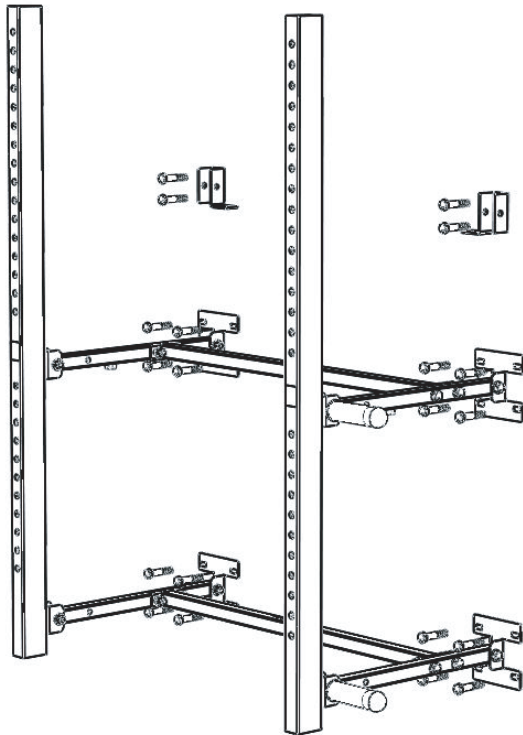
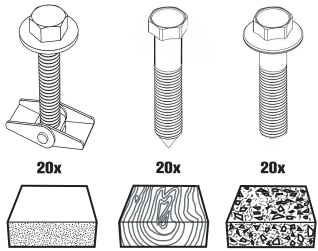
5



6



7



<b>USA</b>	<b>Service@againfaster.com</b>	<b>(617) 460-5999</b>
<b>Canada</b>	<b>Service@againfaster.ca</b>	<b>(514) 544 3806</b>
<b>New Zealand</b>	<b>Service@againfaster.co.nz</b>	<b>0800 664 323</b>
<b>UK/Europe</b>	<b>Service@againfaster.co.uk</b>	<b>44(0) 115 945 5454</b>
<b>Australia</b>	<b>Service@againfaster.com.au</b>	<b>1 300 663 492</b>
<b>Israel</b>	<b>Info@againfaster.co/il</b>	
<b>South Africa</b>	<b>Service@againfaster.co.za</b>	
<b>Latin America</b>	<b>Latinamerica@againfaster.com</b>	

**WWW.AGAINFASTER.COM**